

Non spring return plant valve actuators

VA7810

Floating and proportional control

The VA7810 non spring return actuator with 1000 N thrust for valves in heating, ventilation and air conditioning applications is available for floating or proportional control.

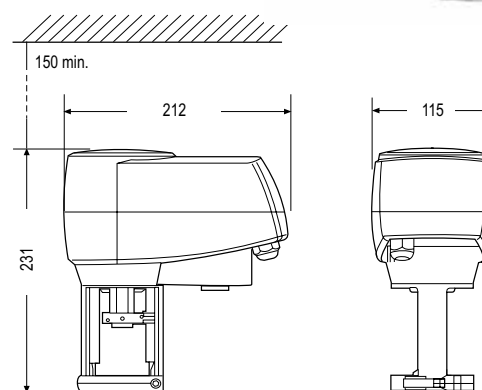
All models have manual override as standard and provide stroke capabilities of 7 mm to 25 mm. Proportional models are self-calibrating.

The actuator is intended for use with Johnson Controls VG7000 and VGS800 threaded valves as well as VG9000, VG8000 and VG8300 flanged valves. All valves should be fitted in accordance with the maximum close-off pressure ratings specified.

Valve-actuators can be ordered as separate units or as a factory fitted valve / actuator combinations.

Features

- ▶ Proportional actuators are self calibrating
- ▶ All models can also be used as floating and ON/OFF actuators
- ▶ Force controlled motor shut-off
- ▶ Manual override as standard
- ▶ IP54 enclosure protection
- ▶ Delivered with fitted 1.5 m cable and wire terminals
- ▶ Status LED
- ▶ Models with optional aux. switches or 2 kΩ feedback potentiometer
- ▶ Control-Signal failure - stem to pre-determined position
- ▶ Stroke position indicator



Dimensions in mm

Ordering information

Mounting onto VG7000 series valves

Codes	Supply voltage (50/60Hz)	Action control	Force	Stroke	Full stroke time	Protection class	Power consumption	Spring return action	Accessories factory mounted
VA-7810-ADA-xx	230 VAC	ON/OFF or floating	1000 N	25 mm	150 s	IP54	8 VA	---	---
VA-7810-ADC-xx									2 aux switches
VA-7810-AGA-xx	24 VAC						3 VA		---
VA-7810-AGC-xx									2 aux switches
VA-7810-AGH-xx	ON/OFF, floating or proportional				6 VA		150 s (selectable 75 s)		2 KΩ pot
VA-7810-GGA-xx									---
VA-7810-GGC-xx		2 aux switches							

Note

- * : **xx** = **11** Actuator with threaded coupler for VG7000 Valves
12 Actuator with clamp coupler for VG8000, VG9000, VGS800 Valves